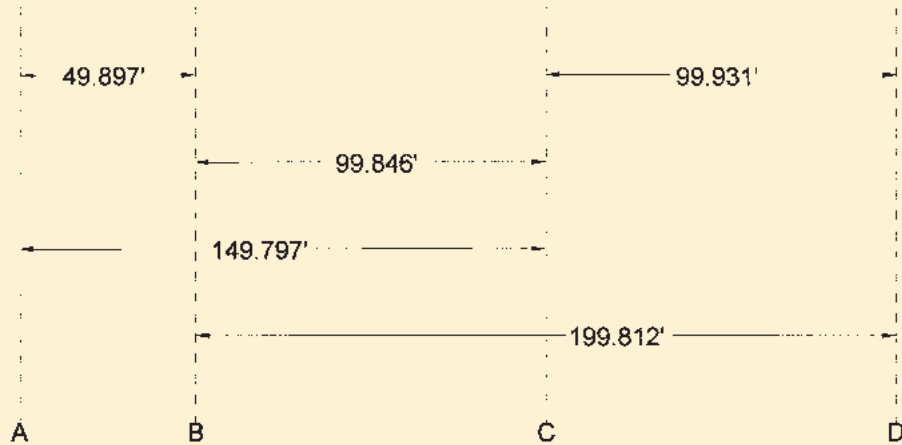




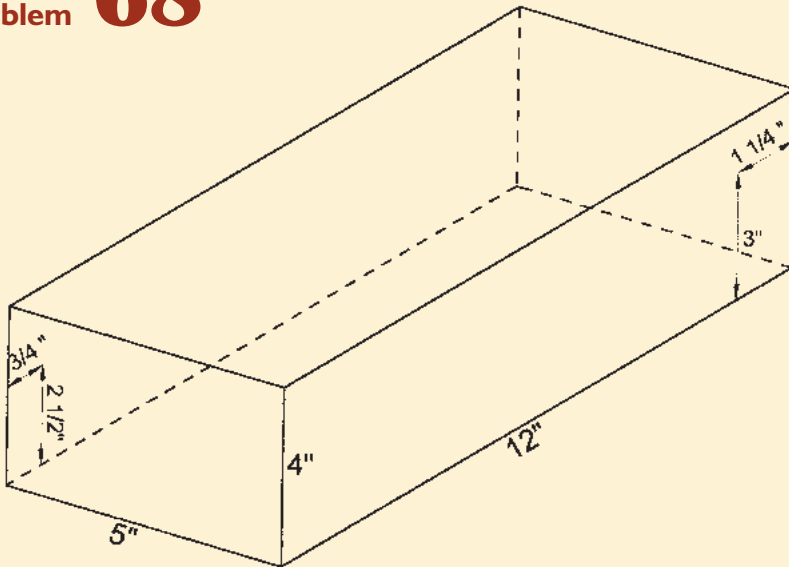
PROBLEM CORNER

Problem 67



WHAT IS THE MOST PROBABLE VALUE OF THE LENGTH A-D, GIVEN THE PARTIAL MEASUREMENTS SHOWN?

Problem 68



TWO BUGS ARE ON THE INSIDE OF A CLOSED 4"x5"x12" BOX AS SHOWN. WHAT IS THE SHORTEST ROUTE FOR THE TWO BUGS TO WALK TO EACH OTHER?

The problems for this column are contributed by retired California surveyor Dave Lindell, LS.

Solutions can be found on our website at www.profsurv.com