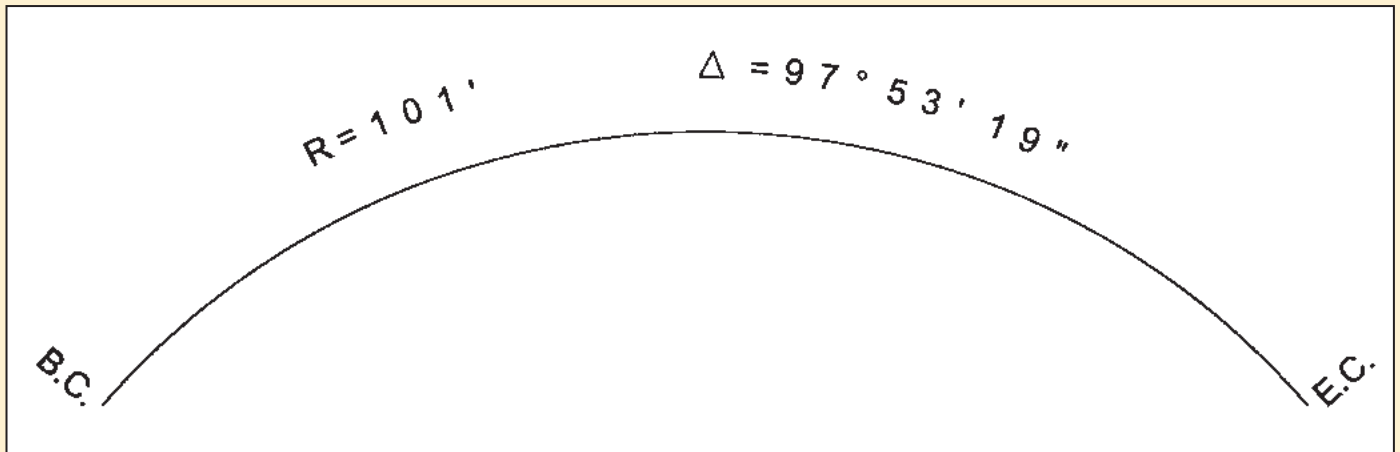




Problem 59

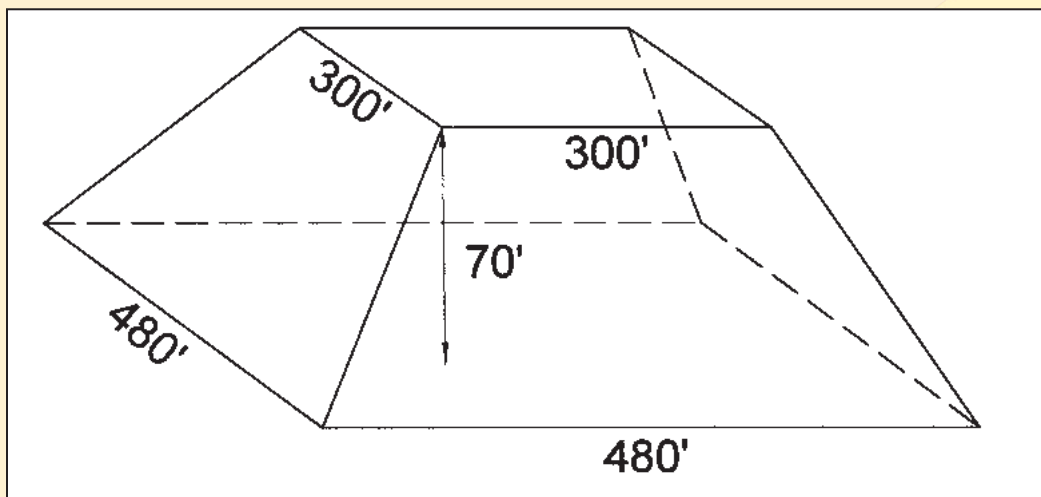


When you left the job yesterday, you finished establishing the B.C. and E.C. of the curve shown.

When you arrived at the job today, your total station battery was dead. Your calculator is working, but you only have a 50' steel tape.

How will you finish laying out the curve in seven equal parts?

Problem 60



What is the volume of the pyramidal frustum?

What if the bases were irregular shapes?

The problems for this column are contributed by retired California surveyor Dave Lindell, LS.