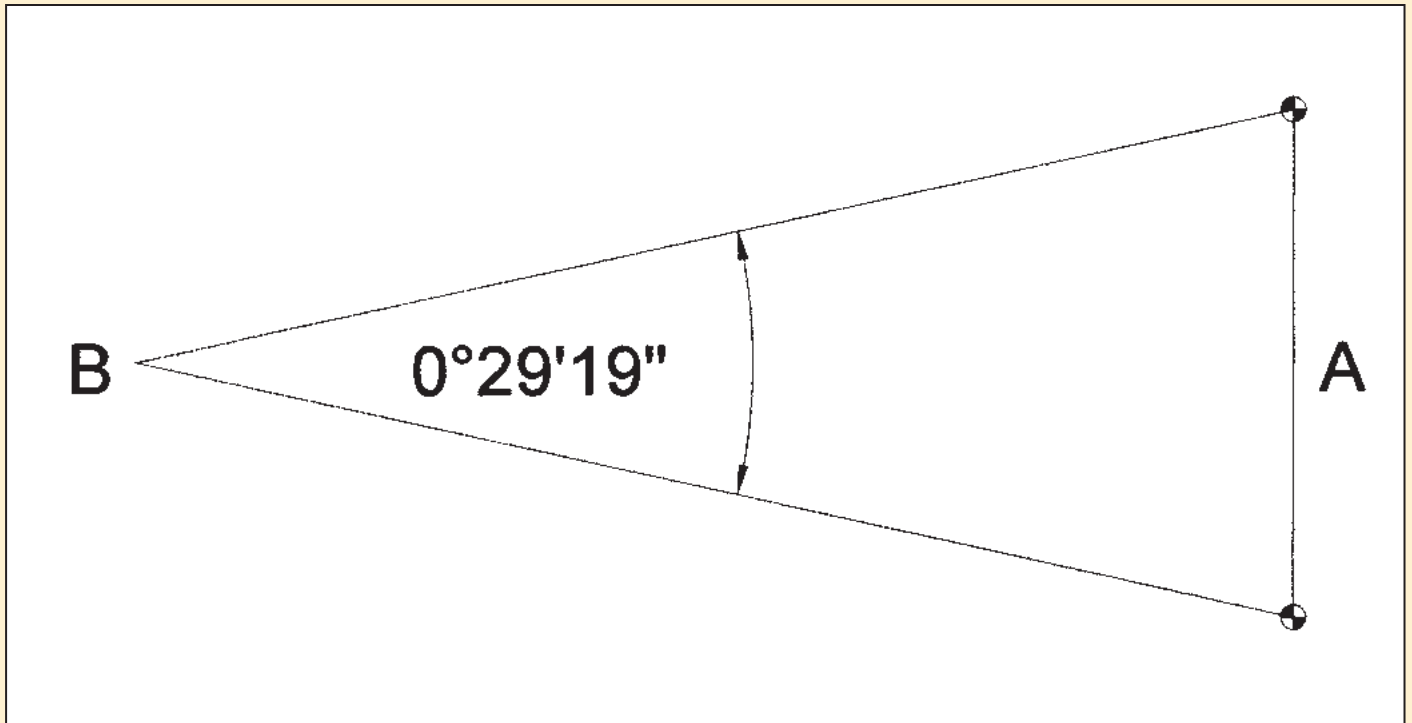




Problem 55

A subtense bar with targets 2 meters apart is set up over point A and aimed at an instrument setup over point B. If the angle measured by the instrument between the two targets is $0^{\circ}29'19''$, how far is it from point A?



Problem 56

In Problem 55, at what distance is a precision of 1:10,000 exceeded if the instrument measures only to the nearest second?

The problems for this column are contributed by retired California surveyor Dave Lindell, LS.