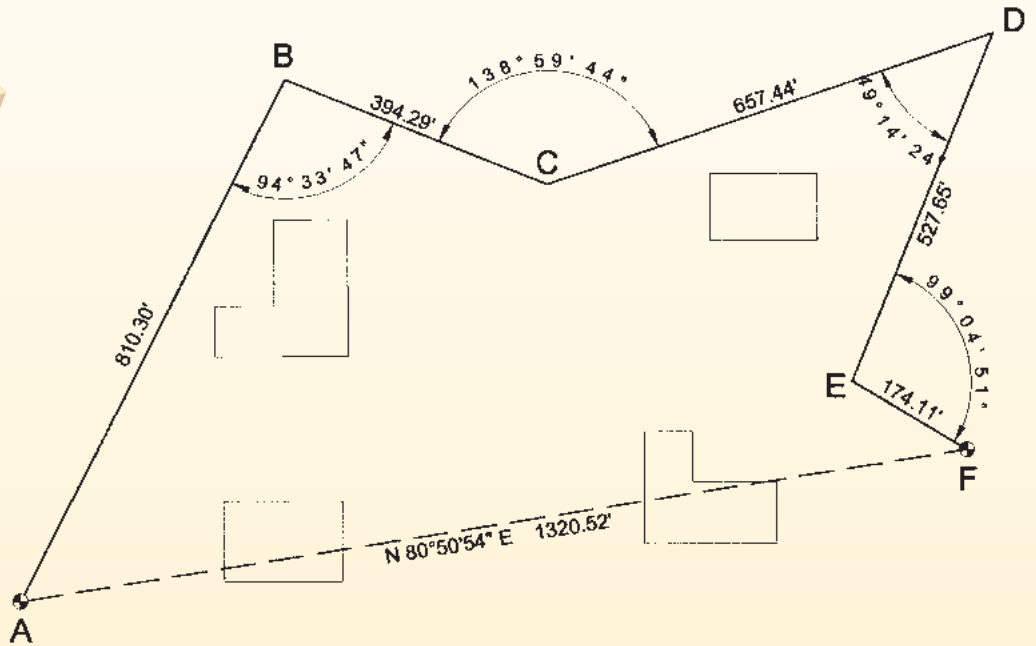


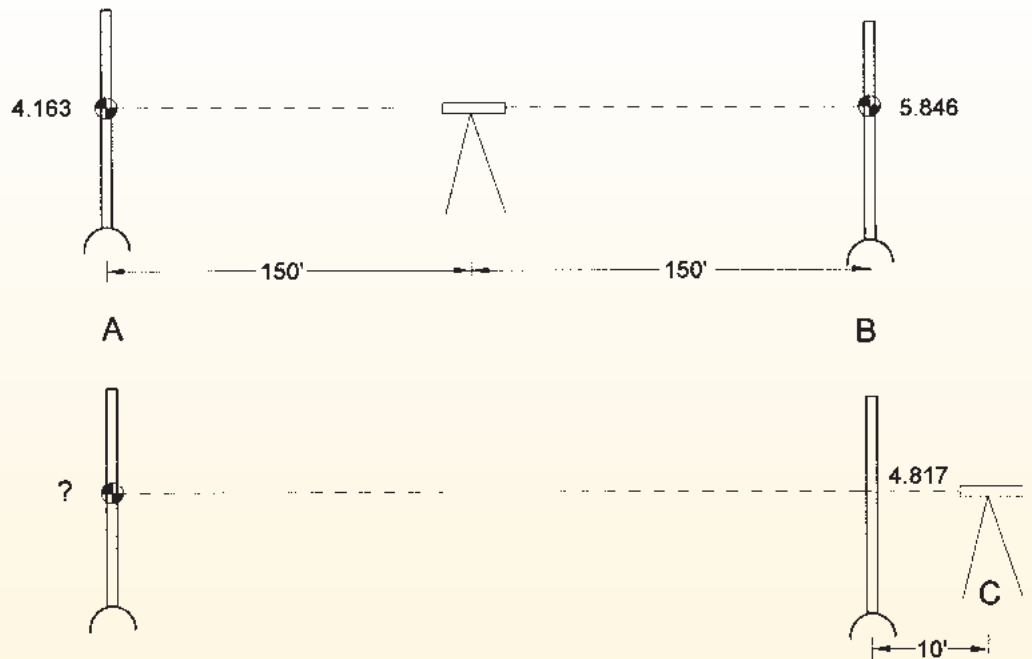
Problem 81

A line you measured only three months ago is now blocked by buildings and other obstructions. Since you know the length and bearing of the line, you traverse between one end and the other as shown. If the coordinate of Point "A" is North 1000.000, East 3000.000, what are the coordinates of Points "B" through "F"?



Problem 82

To verify your level is in adjustment, you set up midway between Points "A" and "B." You read 4.163' to a target set at "A" and 5.846' to a target set at "B." When you move your level to Point "C" you read 4.817' at the rod on Point "B." What should the reading at the target on "A" be if the level is in adjustment? What if it isn't?



The problems for this column are contributed by retired California surveyor Dave Lindell, LS.

Solutions can be found on our website at www.profsurv.com