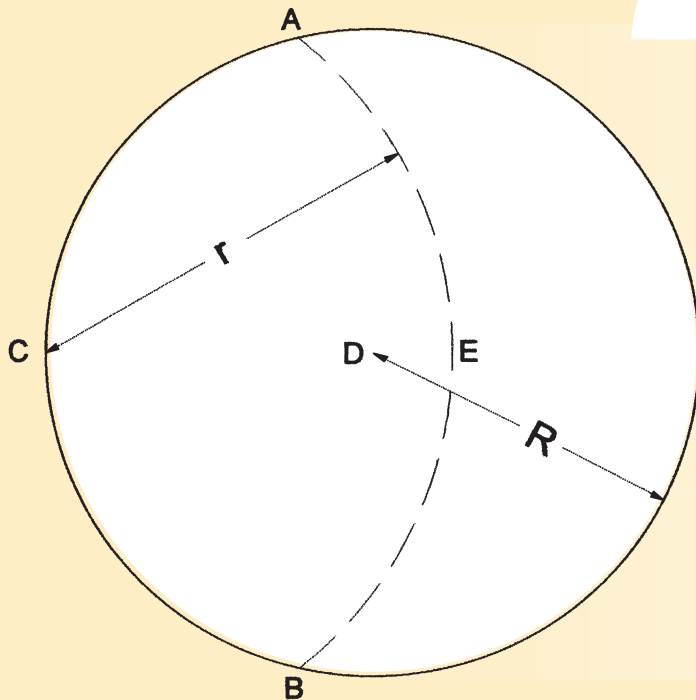
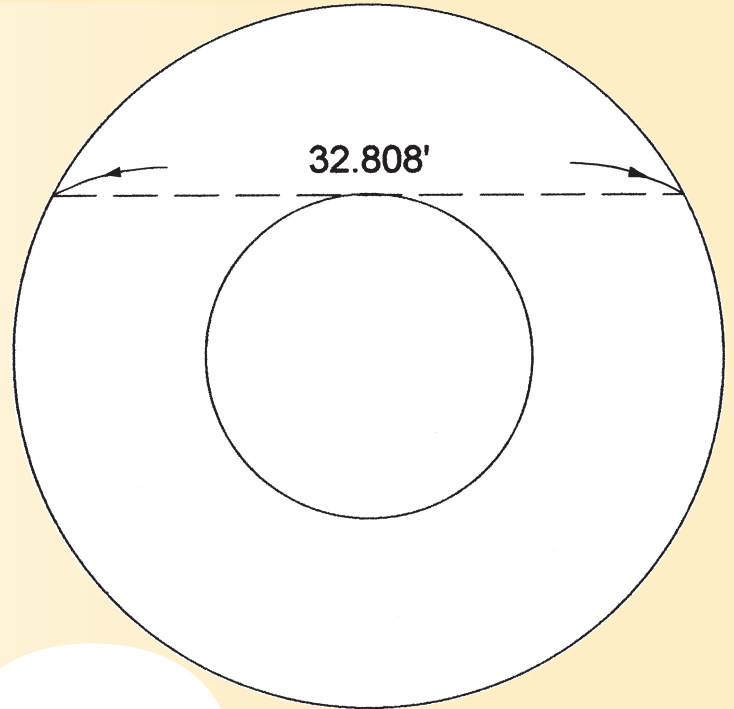


THE PROBLEM CORNER

This month's challenges involve finding the area of an annulus, and determining the relationship of a radius to a chord on a circle. Solutions can be found on our website at www.profsurv.com.

Problem Number 31

A piece of steel plate was measured as shown. What is the area of the annulus?



Problem Number 32

If the lune B-C-A-E is one-half of the area of the circle with radius R, what is the relationship of r to R?

The problems for this column are contributed by retired California surveyor Dave Lindell, LS.